

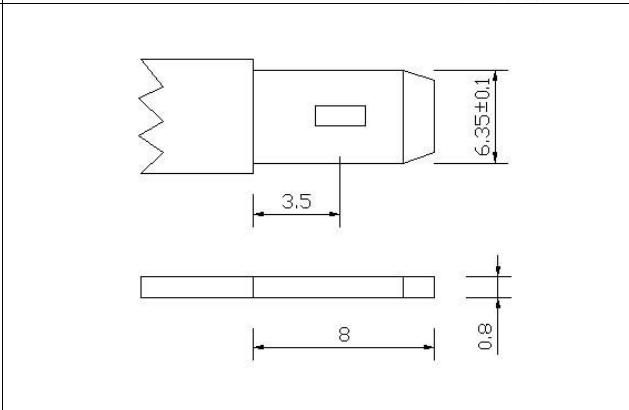
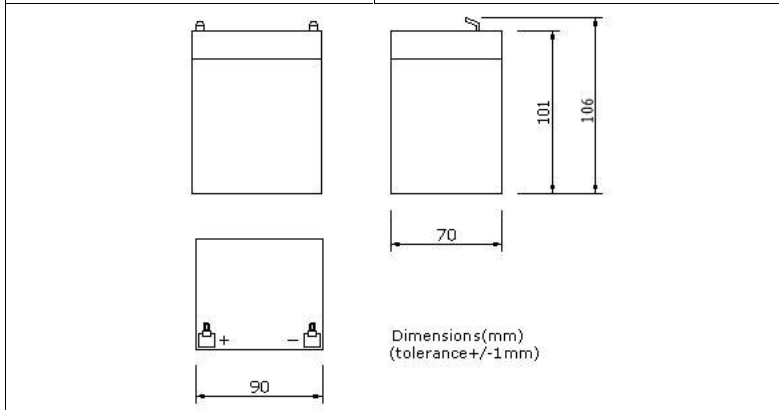
EnergiVm

CE .RU MH 28269

MVH1250(12V5AH)

PHYSICAL SPECIFICATION

Nominal Voltage		12V	
Nominal Capacity (20HR)		5Ah	
Dimension	Length	90	1mm (3.54 inches)
	Width	70	1mm (2.76 inches)
	Container Height	101	1mm (3.98 inches)
	Total Height	106	1mm (4.17 inches)
Weight		Approx. 1.55 Kg (3.42lbs)	
Standard Terminal		Fasten Tab No.250E	



ELECTRICAL SPECIFICATION

Characteristics		
Capacity	20 hour rate (0.25A)	5.5Ah
	10 hour rate (0.45A)	5.2Ah
	5 hour rate (0.85A)	4.6Ah
	3 hour rate (1.25A)	4.1Ah
	1hour rate (3.0A)	3.3Ah
Capacity affected by temperature	40 (104 °F)	102%
	25 (77 °F)	100%
	0 (32 °F)	85%
Internal Resistance		Full charged battery (25 ,77 °F) 30m
Constant Voltage Charge	Cycle	Initial Charging Current less than 1.5A Voltage 14.4~15.0V at 25 (77 °F) Temperature Coefficient -30mV/
	Standby	No limit on Initial Charging Current Voltage 13.5~13.8V at 25 (77 °F) Temperature Coefficient -20mV/

